

ST35**USAGE**

Office Machines

Automatic Control Machines

Split Air Conditioner

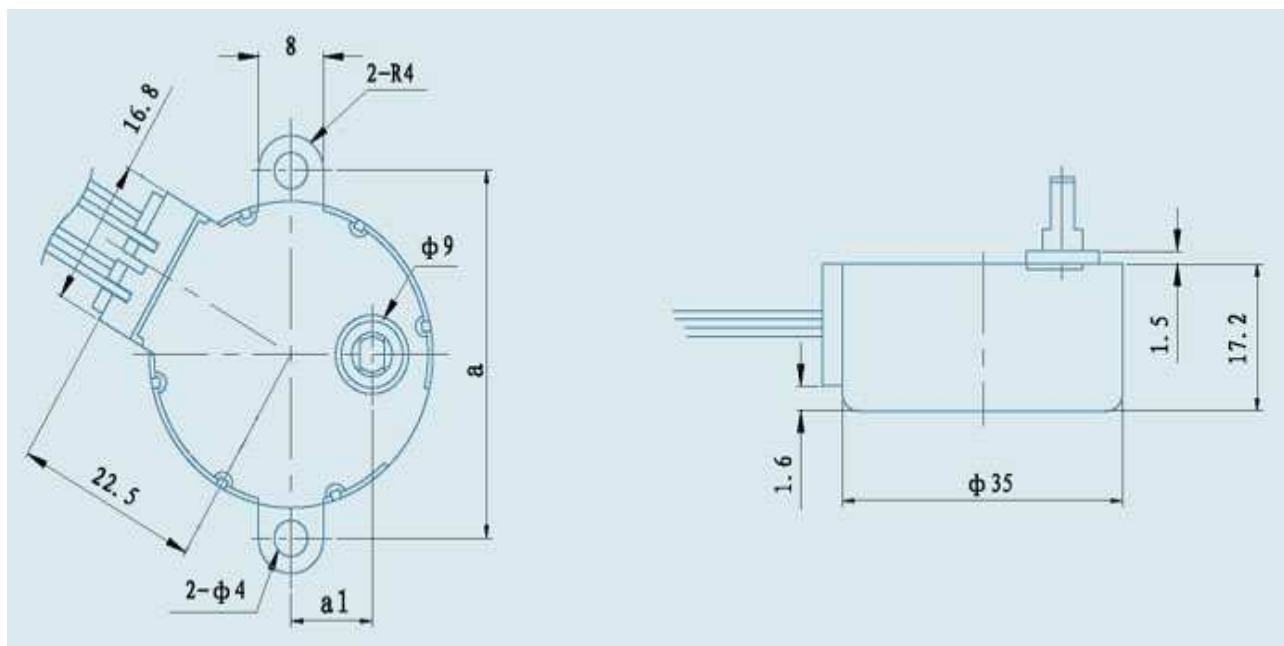
STEPPING MOTOR ST35

USAGE
Office Machines
Automatic Control Machines
Split Air Conditioner

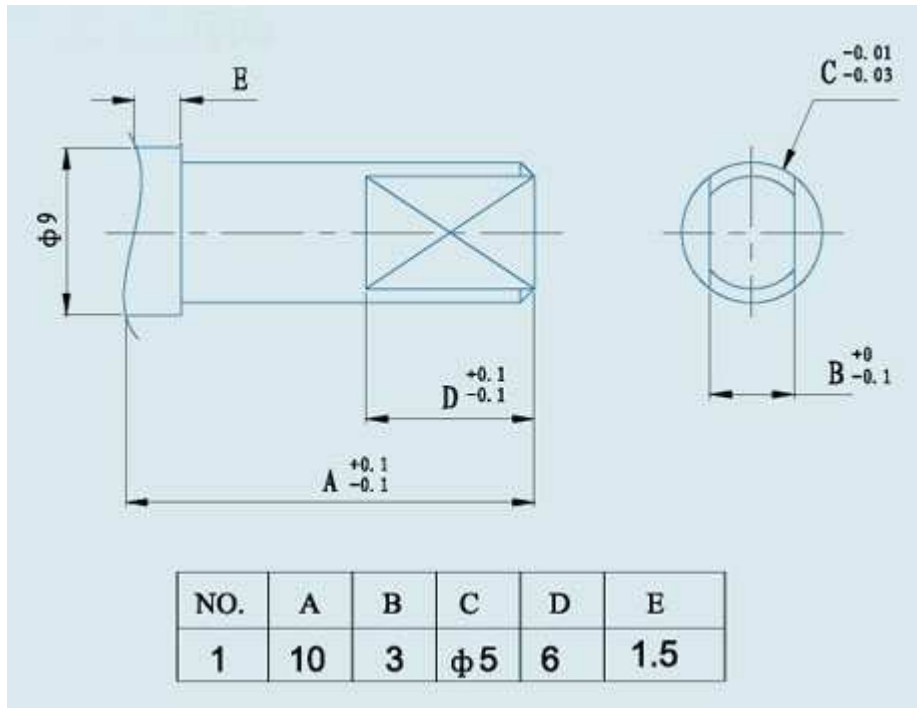
ITEM	Specifications				Unit
Rated Voltage	12				VDC
Current	92	60	48	40	mA
Impedance	130	200	250	300	Ohm
Pull-in Torque (at 100pps)	900	650	620	470	gf - cm
1 step 1-2 Step Angle	7.5 ϕ X /85				ϕ X
Reduction Ratio	1/85				
Phase	4				
Detent Torque min	500				gf - cm

Max Starting Pulse Rate	350	pps
Max Starting Pulse Rate	800	pps
Insulation Strength	AC 600V-1sec Cut-Off Current :10mA	
Temperature Rise	60	deg
Noise	40	dB
Diameter of Model	Ø35.0	mm
Distance of Model (a)	42.0	mm
Distance of Model (a1)	10.0	mm
Height of Model	17.2	mm

1:Dimensions



2:Shaft Type



3: Specification of terminal :

NO.	規格 Specification	出線長度 Length of output wire	端子規格 Terminal specification
1	AWG 1007#26	450 mm	JST SXH-001T-P0.6